

Style CPS02 | Two-hole Pipe Strap



Size Range: 3/4" through 2"

Material: Carbon Steel

Approval: UL and ULC Listed.

Finish: Pre-Galvanized per ASTM A653

Service: Hanger for CPVC, steel, & copper pipe in the horizontal position on the bottom and side of structural wood beams, composite beams and Steel 20 Ga. (min.) Can be used as a restrainer when installed on top of structural wood beams, for limiting pipe movement due to thrust loads during sprinkler system start-up. It can also be used as a guide to limit movement for pipe in the vertical position. When used on composite wood beams, web thickness must be 3/8" or greater.



Installation:

Place hanger over pipe.

Secure hanger to mounting surface with screws provided.

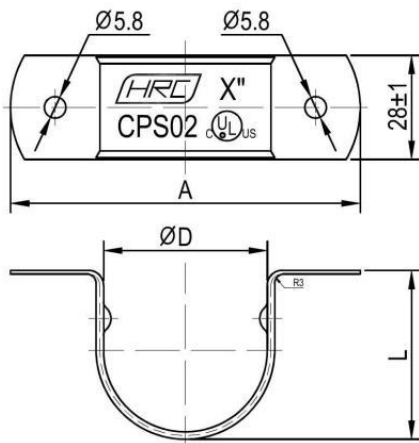
Steel applications require one (2) #14 x 1" hex washer head self-drilling

Features:

Beveled edge design helps protect the CPVC pipe from any rough surface.

Easily attaches to wood structure with #10 x 1" hex washer head self threading screw supplied with product. No pre-drilling required.

Technical Data



X"	D ± 1(mm)	A ± 2(mm)	L ± 2(mm)
3/4"	28	80	30
1"	35	89	37
1 1/4"	44	98	45.5
1 1/2"	50	104	51.5
2"	62	118	63.5

