

Storm Drainage & Sewage Piping System



BP1001-HDPE Double-Wall Corrugated Pipe Fittings Couplers

1.0 Description

Available Size

- DN200mm-1500mm

Stiffness strength

- SN8

Function

- Join the HDPE Double wall corrugated pipe with plain ends together with rubber rings

Material

- High-density polyethylene/HDPE

Standard

- EN 13476-3,ASTM F2435-15

Features

- Resistant to compression, UV light, weather, chemicals, and ground subsidence.

Application

- Underground Drainage pipelines, Storm Pipe lines,



2.0 Technical Data

| No | Size | (diámetro interior) ID size /mm | longitud(Length) /mm | Remark |
|----|-------|------------------------------------|-------------------------|------------------------|
| 1 | 200mm | 235 | 250 | Injection molding type |
| 2 | 300mm | 340 | 285 | Injection molding type |
| 3 | 300mm | 350 | 285 | Injection molding type |
| 4 | 400mm | 455 | 300 | Injection molding type |
| 5 | 400mm | 466 | 300 | Injection molding type |
| 6 | 500mm | 556 | 400 | Injection molding type |
| 7 | 500mm | 572 | 400 | Injection molding type |
| 8 | 500mm | 583 | 490 | Rotational molding |
| 9 | 600mm | 670 | 450 | Injection molding type |
| 10 | 600mm | 685 | 450 | Injection molding type |
| 11 | 600mm | 702 | 500 | Rotational molding |
| 12 | 800mm | 906 | 550 | Injection molding type |

BP1002-Steel Reinforced HDPE Corrugated Pipe Couplers

1.0 Description

Available Size

- DN300mm-1000mm

Stiffness strength

- SN16

Function

- Join the Steel Reinforced HDPE Corrugated Pipe with plain ends together with rubber rings
- Welding the two couplers into pipes
- Insert the small coupler into the bigger one

Material

- High-density polyethylene/HDPE

Standard

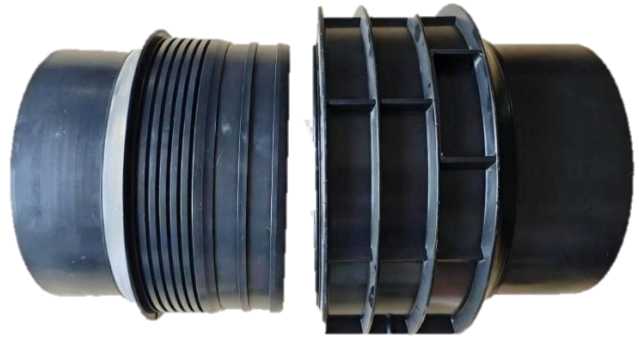
- EN 13476-3,ASTM F2435-15

Features

- Resistant to compression,
- High strength
- UV light, weather, chemicals
- Ground subsidence.

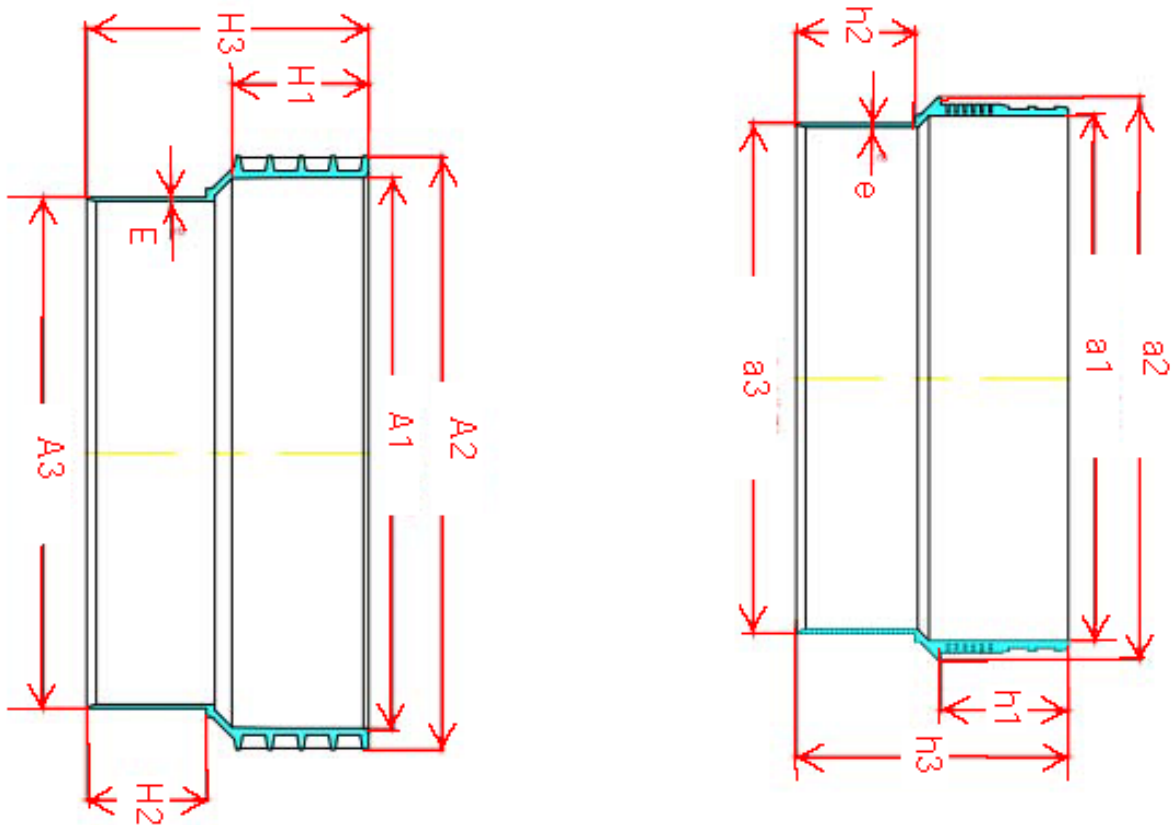
Application

- Underground Drainage pipelines, Storm Pipe lines



BP1002-Steel Reinforced HDPE Corrugated Pipe Couplers

2.0 Technical Data



| No | Coupler Size | Part | A1/a1 /mm | A2/a2 /mm | A3/a3 /mm | E/e /mm | H1/h1 /mm | H2/h2 /mm | H3/h3 /mm |
|----|--------------|------|--------------|--------------|--------------|------------|--------------|--------------|--------------|
| 1 | 300mm | A | 337 | 386 | 294 | 4 | 160 | 90 | 300 |
| | | a | 317 | 357 | 294 | 4 | 150 | 90 | 290 |
| 2 | 400mm | A | 438 | 487 | 393 | 4 | 160 | 90 | 300 |
| | | a | 418 | 458 | 393 | 4 | 150 | 90 | 290 |
| 3 | 500mm | A | 537 | 591 | 493 | 4.5 | 160 | 105 | 315 |
| | | a | 514 | 558.5 | 493 | 4.5 | 150 | 105 | 305 |
| 4 | 600mm | A | 640 | 694 | 593 | 4.8 | 160 | 105 | 315 |
| | | a | 615 | 659.5 | 593 | 4.8 | 150 | 105 | 305 |
| 5 | 800mm | A | 845 | 888 | 793 | 5 | 160 | 140 | 315 |
| | | a | 805 | 831 | 793 | 5 | 150 | 140 | 305 |
| 6 | 1000mm | A | 1038 | 1081 | 983 | 5 | 170 | 165 | 340 |
| | | a | 998 | 1026 | 983 | 5 | 150 | 165 | 330 |

BP1006-HDPE Double-Wall Corrugated Pipe Fittings Injection Molded Fittings-90Elbow

1.0 Description

Available Size

- DN300mm-600mm

Stiffness strength

- SN8

Function

- Join the Steel Reinforced HDPE Corrugated Pipe with plain ends together with rubber rings

Material

- High-density polyethylene/HDPE

Standard

- EN 13476-3,ASTM F2435-15

Features

- Resistant to compression,
- UV light, weather, chemicals
- Ground subsidence.

Application

- Underground Drainage pipelines, Storm Pipe lines



2.0 Technical Data

| 90 Elbow Size | (diámetro interior) ID size /mm | (Longitud de inserción) Insert Length /mm | Remark |
|---------------|---------------------------------------|--|------------------------|
| 200mm | 240 | 70 | Injection molding type |
| 300mm | 351 | 100 | Injection molding type |
| 400mm | 472 | 130 | Injection molding type |
| 500mm | 580 | 135 | Injection molding type |
| 600mm | 700 | 150 | Injection molding type |

BP1007-HDPE Double-Wall Corrugated Pipe Fittings Injection Molded Fittings-45Elbow

1.0 Description

Available Size

- DN300mm-600mm

Stiffness strength

- SN8

Function

- Join the Steel Reinforced HDPE Corrugated Pipe with plain ends together with rubber rings

Material

- High-density polyethylene/HDPE

Standard

- EN 13476-3,ASTM F2435-15

Features

- Resistant to compression,
- UV light, weather, chemicals
- Ground subsidence.

Application

- Underground Drainage pipelines, Storm Pipe lines



2.0 Technical Data

| 45 Elbow Size | (diámetro interior) ID size /mm | (Longitud de inserción) Insert Length /mm | Remark |
|---------------|---------------------------------------|--|------------------------|
| 200mm | 240 | 70 | Injection molding type |
| 300mm | 351 | 100 | Injection molding type |
| 400mm | 472 | 130 | Injection molding type |
| 500mm | 580 | 135 | Injection molding type |
| 600mm | 700 | 200 | Injection molding type |

BP1008-HDPE Double-Wall Corrugated Pipe Fittings Injection Molded Fittings-Tee

1.0 Description

Available Size

- DN300mm-600mm

Stiffness strength

- SN8

Function

- Join the Steel Reinforced HDPE Corrugated Pipe with plain ends together with rubber rings

Material

- High-density polyethylene/HDPE

Standard

- EN 13476-3,ASTM F2435-15

Features

- Resistant to compression,
- UV light, weather, chemicals
- Ground subsidence.

Application

- Underground Drainage pipelines, Storm Pipe lines



2.0 Technical Data

| TEE Size | (diámetro interior) ID size /mm | (Longitud de inserción) Insert Length /mm | Remark |
|----------|---------------------------------------|--|------------------------|
| 200mm | 240 | 75 | Injection molding type |
| 300mm | 351 | 100 | Injection molding type |
| 400mm | 472 | 150 | Injection molding type |
| 500mm | 580 | 135 | Injection molding type |
| 600mm | 700 | 150 | Injection molding type |