

Style CPS01 | One Hole Pipe Strap

Size Range: 3/4" through 2"

Material: Carbon Steel

Approval: UL and ULC Listed.

Finish: Pre-Galvanized per ASTM A653

Service: Hanger for CPVC pipe in the horizontal position on the side of structural wood beams and Steel 20 Ga. (min) with hanger tab in the upward position only. It can also be used as a guide to limit movement of vertical CPVC pipe with the tab in the horizontal position.

Installation:

Place hanger over pipe.

Secure hanger to mounting surface with screws provided.

Steel applications require one (1) #14 x 1" hex washer head self-drilling

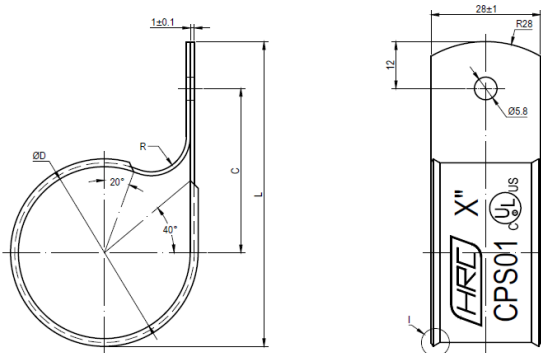
Features:

Beveled edge design helps protect the CPVC pipe from any rough surface.

Easily attaches to wood structure with #10 x 1" hex washer head self threading screw supplied with product. No pre-drilling required.



Technical Data



X"	D ± 1(mm)	C ± 1(mm)	L ± 2(mm)
3/4"	28	32	60
1"	35	36.5	68
1 1/4"	44	42	78
1 1/2"	50	45	84
2"	62	52	97