

# Style HG03 | Riser Clamp



**Size Range:** 3/4" through 10" | 20-250mm

**Material:** Carbon steel

**Approvals:** FM Approval: 3/4"-4". UL listed: 3/4"- 10"

**Finish:** Electro-Galvanized(Hot-Dip Galvanized optional)

**Service:** For support of stationary steel pipe risers or conduit.

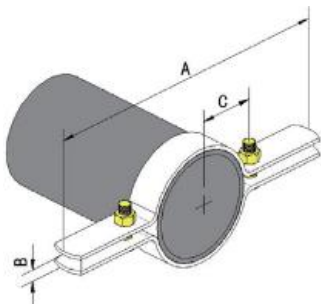
**Installation:** Clamp is fitted and bolted below a coupling, hub or welded lugs on steel pipe (2 lugs up to 3" pipe, 4 lugs up to 12" pipe).

Bolt torques should be per industry standards (see page 276).

Clamp is designed for standard steel pipe O.D. and this



## Technical Data



Pipe Size	A	B	C	Max Load	Approx. Wt. Ea.
In/mm	In/mm	In/mm	In/mm	Lbf/N	Lbs./kg
¾	8.86	0.39	1.28	220	0.99
20	225.0	10.0	32.5	978	0.45
1	8.86	0.39	1.38	220	0.99
25	225.0	10.0	35.0	978	0.45
1¼	10.04	0.39	1.57	250	1.28
32	255.0	10.0	40.0	1112	0.58
1½	10.24	0.39	1.77	250	1.30
40	260.0	10.0	45.0	1112	0.59
2	10.24	0.47	2.07	300	1.57
50	260.0	12.0	52.5	1334	0.71
2½	11.22	0.47	2.36	400	1.72
65	285.0	12.0	60.0	1778	0.78
3	11.42	0.47	2.76	500	1.76
80	290.0	12.0	70.0	2223	0.80
3½	12.80	0.47	3.05	500	1.98
90	325.0	12.0	77.5	2223	0.90
4	12.80	0.47	3.25	750	2.01
100	325.0	12.0	82.5	3337	0.91
5	13.78	0.47	3.94	1500	3.02
125	350.0	12.0	100.0	6674	1.37
6	14.76	0.47	4.43	1600	3.31
150	375.0	12.0	112.5	7118	1.50
8	18.50	0.63	5.61	2500	6.39
200	470.0	16.0	142.5	11125	2.90
10	20.24	0.63	6.69	2500	10.21
250	514.0	16.0	170.0	11125	4.63
12	22.76	0.79	7.87	2700	15.32
300	578.0	20.0	200.0	12015	6.95